

# POWER

The ErgoPerfect Power Chair is a high-end ergonomic chair for a variety of working situations. Numerous adjustments are possible through a number of simple manual operations. The bubble upholstery profile is molded in soft, durable polyurethane to stimulate blood circulation and increases comfort when sitting for long periods of time, while keeping it easy to clean and maintain. Options available, such as foot ring, lock-on casters, arm rests and head rest make this chair an ideal seating solution for office and production use.



## Product Detail

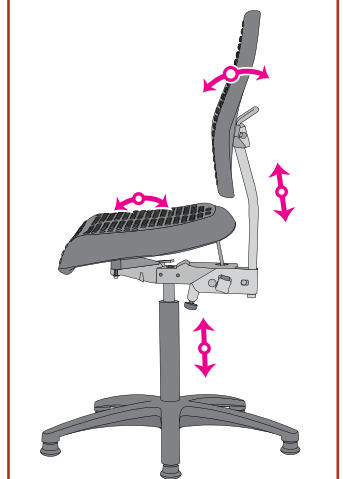
*Aluminum seat mechanism for manual, step-less adjustments of back rest height, back rest tilt with permanent contact, back rest with tension adjustable tilt, seat angle and reclining/lockable tilt action via aluminum knobs. Seat height adjustment by means of a safety gas cylinder lift.*

<b>Seat</b>	Soft polyurethane, bubble surface
<b>Base</b>	5-star base
<b>Gas cylinder</b>	Black, seat height 22 - 31.5 in (56-80cm)
<b>Casters</b>	Black
<b>Seat width</b>	19.5 in (50cm)
<b>Max. users weight</b>	260 lbs (120kg)
<b>Packing</b>	5.5 ft <sup>3</sup> (0,15 m <sup>3</sup> )
<b>Weight</b>	31 lbs (14kg)
<b>Color</b>	Black Seat, Black Plastic Bases in Europe only. Chrome Aluminum Bases in North and South America.
<b>Warranty</b>	5 years

**ErgoPerfect®**

## AVAILABLE OPTIONS

Option:	Code:	Size:	Count:
Regular Glides	PC-039	1/2"	5
Tall Glides	PC-035	2"	5
Regular Casters	PC-017	--	5
Grey Industrial Casters	PC-021	--	5
Lock-on Casters	PC-038	--	5
Head Rest (Power Only)	ERG-HEADREST	--	1
Arm Rest (Power Only)	2700000	--	1
Footring (Power Only)	2800004	--	1
Small Cylinder	PC-003	--	1
Medium Cylinder	PC-004	--	1
Tall Cylinder	PC-005	--	1



[www.ergomat.com](http://www.ergomat.com) - [info@ergomat.com](mailto:info@ergomat.com)

US: +1-440-282-4651  
 English (EU): +44 03308 280 084  
 Scandanavia: +45 70 22 18 40  
 German: +49 9524 30367-50  
 French: +33 1 446 410 28  
 Dutch: +31 73 613 05 30



# ErgoPerfect® POWER

a quality product from  **ERGOMAT®**

